



Diamond Single Seat Valve Installation & Maintenance: ATEX Directive 2014/34/EU & The Equipment and Protective Systems Intended for Use in Potentially Explosive Atmospheres Regulations 2016 SI 1107

Page 1 of 1

ADDITIONAL INSTRUCTIONS TO BE USED IN CONJUNCTION WITH INSTALLATION & MAINTENANCE INSTRUCTIONS FOR DIAMOND SINGLE SEAT VALVES

IMPORTANT - PLEASE READ CAREFULLY BEFORE INSTALLING YOUR UNIT

ATEX / Equivalent UK regulations compliant valves that support the “Ex” compliance symbol pictured below are fitted with an additional component that is essential to the safe operation of the unit in hazardous environments. When valves are dismantled for installation or maintenance it is important that they are correctly reassembled, with the Earthing Spring in place, as depicted below. The valve shown below is a Single Body seat valve. The same principle applies for Double Body valves. The earthing spring is fitted over the valve shaft and beneath the coupling, in the position shown below on both single and double body variants. The following points must be adhered to when maintaining / installing an ATEX / Equivalent UK regulations Single Seat Valve:

1. When maintenance is performed and the Earthing Spring is removed, it must be re-fitted as shown below. Metal to metal contact must be made between the end cap, the earthing spring, and coupling to ensure electrical conductivity is achieved.
2. Once assembled, check that there is electrical conductivity between the actuator spindle and valve body. A multi-meter should be used to perform this test. If no conductivity exists, the valve should not be used.

Important Note: Pipework that is to be connected to DPL ATEX / equivalent UK regulations compliant valves must be earthed.

ATEX / Equivalent UK
Regulations Compliance
Symbol.



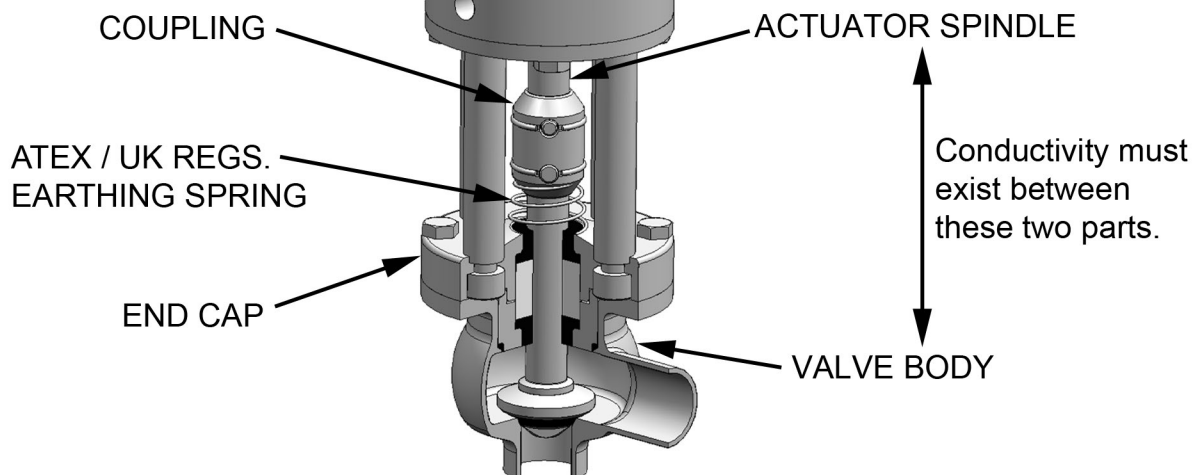
Temperature Rating: Valves carrying the Ex symbol as shown are marked T6...T4, 85°C...135°C.

This temperature range is provided to cover process media temperatures for valves fitted with seal material as follows:

Nitrile: Max Operating Temperature 85°C.

EPDM, Silicone, Viton, PTFE:

Max Operating Temperature 135°C.



a stainless technologies company

Call us: 01799 58 2440 email us: dairypipelines@dpluk.co.uk

www.dpluk.co.uk Unit 7F Waterfall Lane Trading Estate, Cradley Heath B64 6PU

Issue 11/24