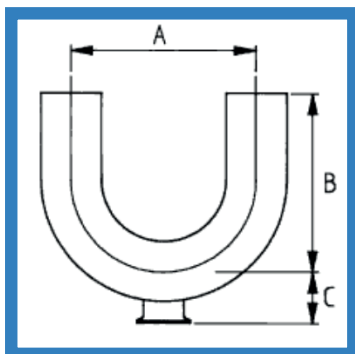


NON ASME BPE PRODUCTS

Outlet Loop W/W/C

Dimension 'A' available upon request

Size (ins)	Part Code	B (mm)	C (mm)
1.0 x 0.5	OL1005WWC	76.2	31.7
1.0 x 0.75	OL1007WWC	76.2	31.7
1.5 x 0.5	OL1505WWC	114.3	38.1
1.5 x 0.75	OL1507WWC	114.3	38.1
1.5 x 1.0	OL1510WWC	114.3	38.1
2.0 x 0.5	OL2005WWC	127.0	44.5
2.0 x 0.75	OL2007WWC	127.0	44.5
2.0 x 1.0	OL2010WWC	127.0	50.8
2.0 x 1.5	OL2015WWC	127.0	44.5
2.5 x 0.5	OL2505WWC	146.1	50.8
2.5 x 0.75	OL2507WWC	146.1	50.8
2.5 x 1.0	OL2510WWC	146.1	55.5
2.5 x 1.5	OL2515WWC	146.1	50.8
2.5 x 2.0	OL2520WWC	146.1	60.3
3.0 x 0.5	OL3005WWC	165.1	57.2
3.0 x 0.75	OL3007WWC	165.1	57.2
3.0 x 1.0	OL3010WWC	165.1	63.5
3.0 x 1.5	OL3015WWC	165.1	58.7
3.0 x 2.0	OL3020WWC	165.1	57.2
3.0 x 2.5	OL3025WWC	165.1	66.7
4.0 x 0.5	OL4005WWC	215.9	69.8
4.0 x 0.75	OL4007WWC	215.9	69.8
4.0 x 1.0	OL4010WWC	215.9	77.8

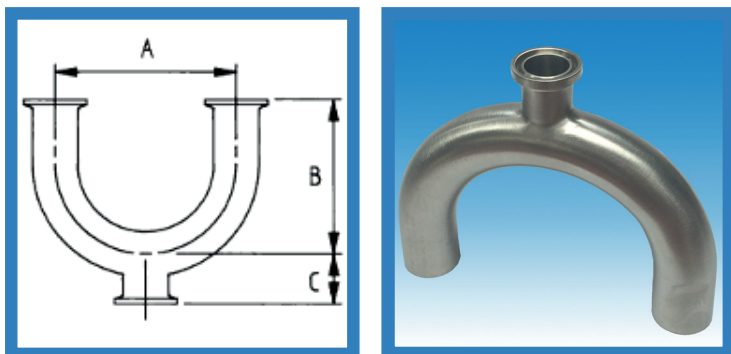


NON ASME BPE PRODUCTS

Outlet Loop W/W/C

Dimension 'A' available upon request

Size (ins)	Part Code	B (mm)	C (mm)
4.0 x 1.5	OL4015WWC	215.9	74.6
4.0 x 2.0	OL4020WWC	215.9	69.8
4.0 x 2.5	OL4025WWC	215.9	79.4
4.0 x 3.0	OL4030WWC	215.9	79.4

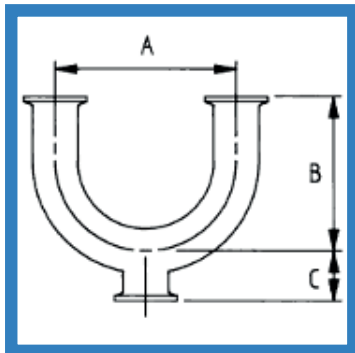


NON ASME BPE PRODUCTS

Outlet Loop C/C/C

Dimension 'A' available upon request

Size (ins)	Part Code	B (mm)	C (mm)
1.0 x 0.5	OL1005CCC	88.9	31.7
1.0 x 0.75	OL1007CCC	88.9	31.7
1.5 x 0.5	OL1505CCC	127.0	38.1
1.5 x 0.75	OL1507CCC	127.0	38.1
1.5 x 1.0	OL1510CCC	127.0	38.1
2.0 x 0.5	OL2005CCC	139.7	44.5
2.0 x 0.75	OL2007CCC	139.7	44.5
2.0 x 1.0	OL2010CCC	139.7	50.8
2.0 x 1.5	OL2015CCC	139.7	44.5
2.5 x 0.5	OL2505CCC	158.8	50.8
2.5 x 0.75	OL2507CCC	158.8	50.8
2.5 x 1.0	OL2510CCC	158.8	55.5
2.5 x 1.5	OL2515CCC	158.8	50.8
2.5 x 2.0	OL2520CCC	158.8	60.3
3.0 x 0.5	OL3005CCC	177.8	57.2
3.0 x 0.75	OL3007CCC	177.8	57.2
3.0 x 1.0	OL3010CCC	177.8	63.5
3.0 x 1.5	OL3015CCC	177.8	58.7
3.0 x 2.0	OL3020CCC	177.8	57.2
3.0 x 2.5	OL3025CCC	177.8	66.7
4.0 x 0.5	OL4005CCC	231.8	69.8
4.0 x 0.75	OL4007CCC	231.8	69.8
4.0 x 1.0	OL4010CCC	231.8	77.8



NON ASME BPE PRODUCTS

Outlet Loop C/C/C

Dimension 'A' available upon request

Size (ins)	Part Code	B (mm)	C (mm)
4.0 x 1.5	OL4015CCC	231.8	74.6
4.0 x 2.0	OL4020CCC	231.8	69.8
4.0 x 2.5	OL4025CCC	231.8	79.4
4.0 x 3.0	OL4030CCC	231.8	79.4